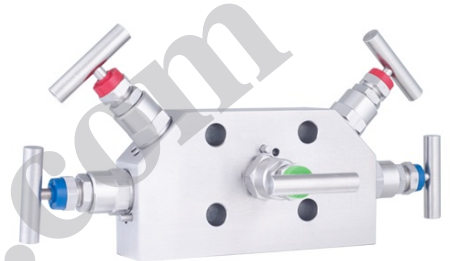


Pressure Gauges / Manifolds / 5 Way Manifolds / MP5W552

CONSTRUCTIVE PROPERTIES

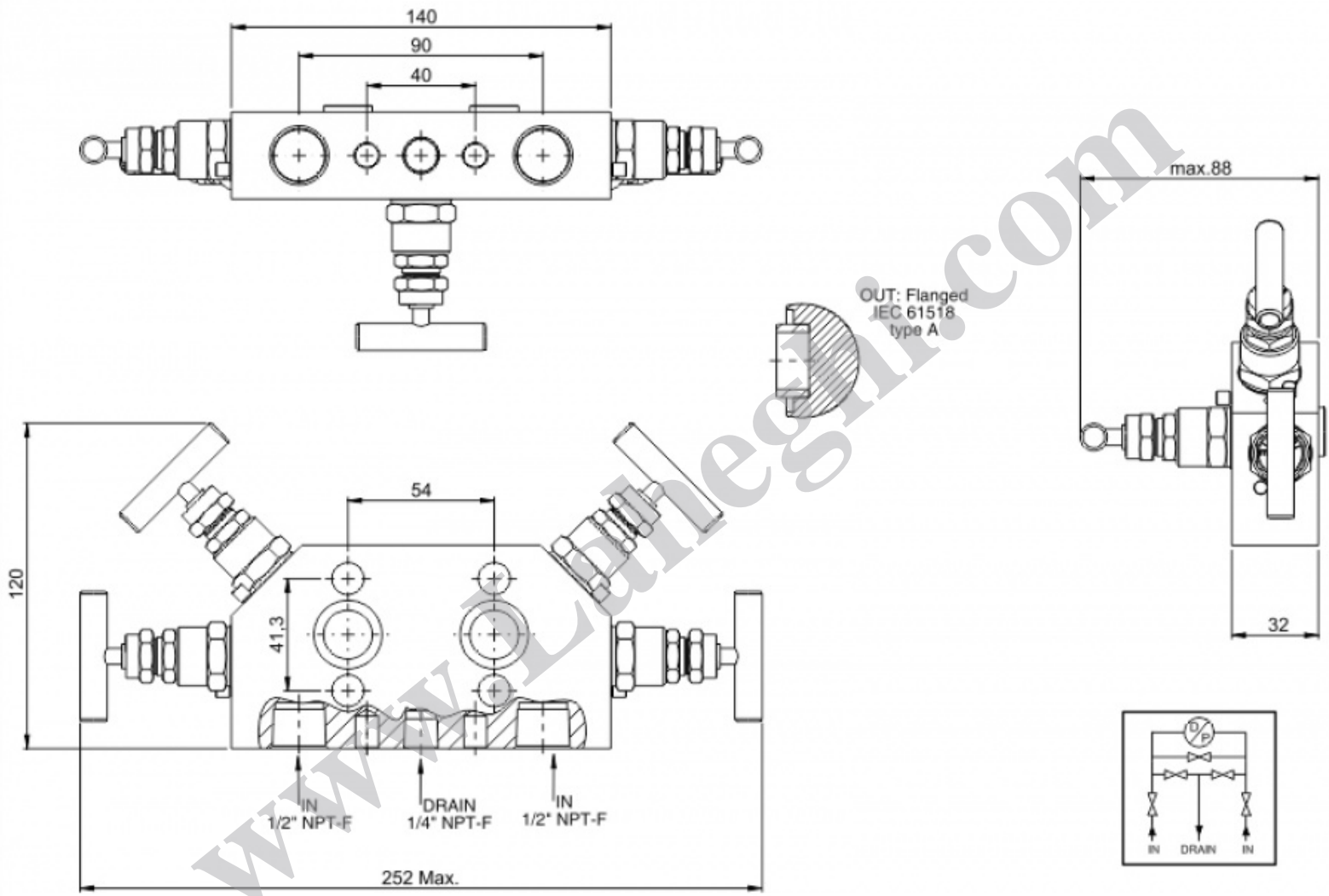
| | STANDARD | OPTIONAL |
|--------------------|---------------------------|--|
| Mounting Type | Vertical | - |
| Case | Stainless Steel AISI-316L | Monel 400 Hastelloy C276 Stainless Steel 316 Ti |
| Open-Close Wheel | Stainless Steel AISI-316L | Monel 400 Hastelloy C276 Stainless Steel 316 Ti |
| Orifice Diameter | 4 mm. | - |
| Inlet Connections | 1/2" NPT | 1/4" NPT 1/2" BSPP 1/4" BSPP 1/2" BSPT 1/4" BSPT |
| Outlet Connections | Flanged | - |
| Drain Plug | 1/4" NPT | - |
| Packing | PTFE | Graphoil |



USAGE PROPERTIES

| | | |
|---------------------------|-----------------------------|-------------------|
| Fluid Temperature | -73 °C...+210 °C | -54 °C...+510 °C |
| Operating Pressure (max.) | 6000 psi/413 bar | 10000 psi/698 bar |
| Leakage Test | Helium Sniffer Leakage Test | |
| Conformity | NACE MR 1075 O2 | |

Pressure Gauges / Manifolds / 5 Way Manifolds / MP5W552



Model No: MP5W552BSN2F2PS

Vertical